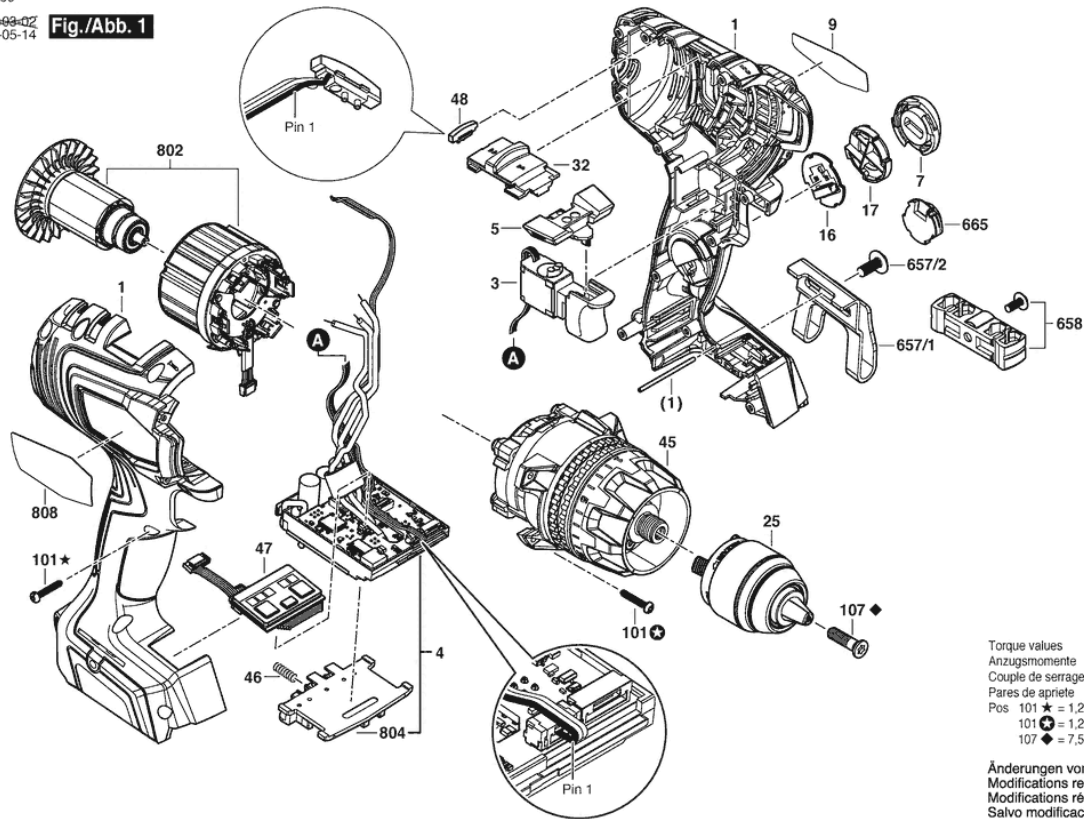


Illustration - Type - E

3 601 JJ5 100

Stand } 21-03-02
Issue } 21-05-14

Fig./Abb. 1

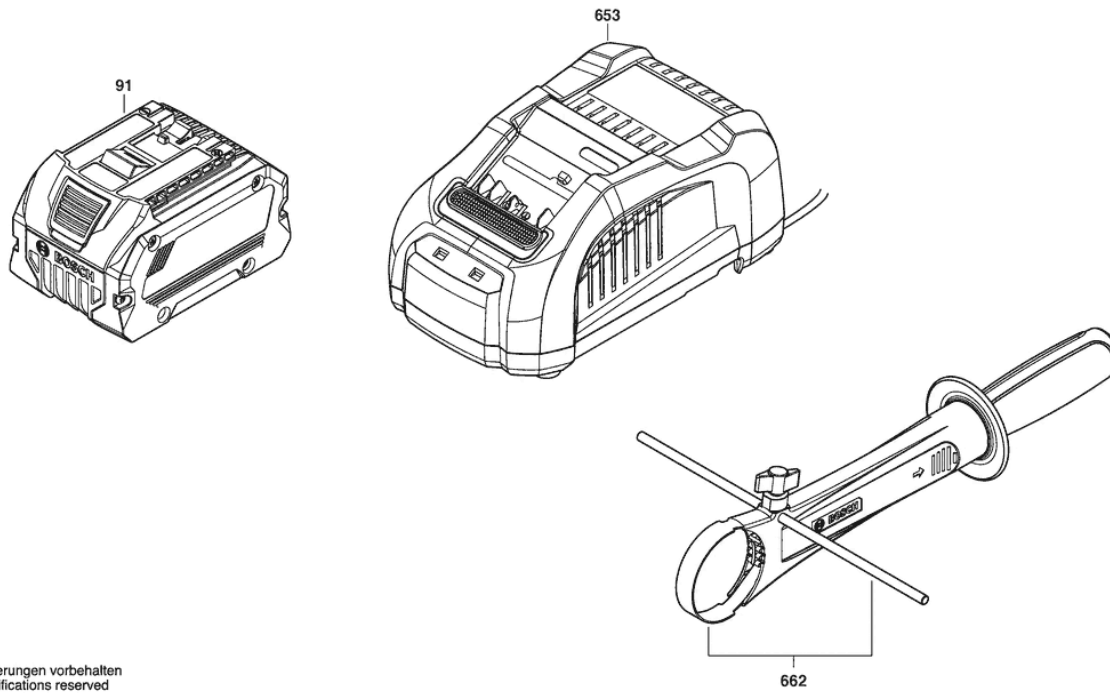


Torque values
Anzugsmomente
Couple de serrage
Pares de apriete
Pos 101 ★ = 1,2 - 1,4 Nm
101 ⊕ = 1,2 - 1,4 Nm
107 ◆ = 7,5 - 9,0 Nm

Änderungen vorbehalten
Modifications reserved
Modifications réservées
Salvo modificaciones

Illustration - Type - E

3 601 JJ5 100
Stand } 21-02-25
Issue } **Fig./Abb. 2**



Änderungen vorbehalten
Modifications reserved
Modifications réservées
Salvo modificaciones

Spare parts list

Item	Part Number	Description	Illustration
1	1 600 A01 3TC	Housing	1
3	2 607 202 501	Switch	1
4	1 607 233 5G8	Electronic Module	1
5	1 600 A01 RH7	Changeover Lever	1
7	1 600 A01 TN9	Cover unit	1
9	1 601 11C 3BV	Manufacturer's nameplate	1
16	1 600 A01 6CZ	Electronics Module	1
17	1 600 A02 KY7	Cover Panel	1
25	1 600 A02 HZ9	Keyless Chuck	1
32	1 600 A01 C95	Switchover Unit	1
45	1 600 A01 26S	Gear Box	1
46	1 609 280 477	Compression Spring	1
47	1 607 233 5LS	Electronic Module	1
48	1 607 233 5LY	Electronic Module	1
101	2 609 110 353	Torx Oval-Head Screw	1
107	2 603 421 229	Countersunk-Head Screw M6X23 LEFTHAND THREADS	1
657/1	2 609 111 584	Clip	1
657/2	2 609 110 834	Screw	1
658	2 609 199 748	Bit holder	1
665	1 600 A01 3WF	Electronics Module	1
802	1 600 A02 4CL	Brushless DC motor	1
804	1 609 280 820	Contact retainer 18V	1
808	1 601 11A 81V	Nameplate	1
91	1 617 S01 9K0	Battery Pack	2
653	2 607 225 921	Charger EU GAL 1880 CV 230/14,4-18V	2
653	2 607 225 923	Charger	2
662	1 602 025 07Y	Auxiliary Handle	2